



100QT ACACIA COOLER

Model # 2204010

Owner's Manual & Assembly Instructions

MANUFACTURED BY:
Backyard Discovery
3305 Airport Drive
Pittsburg, KS 66762
800-856-4445



INSTALLATION SERVICES AVAILABLE!*

Need a helping hand?

Let our team of professionals handle the installation for you!

GOCONFIGURE
888-888-5424

*Installation services are only available to U.S. customers.

average 2 person assembly time



assembly time may vary based on skill level

Before you begin

FOR QUICK & EASY ASSEMBLY

FIND 3D INSTRUCTIONS FOR THIS PRODUCT IN

BILT.

DOWNLOAD THE FREE APP



For the most up to date assembly manual, to register your set, or to order replacement parts please visit www.backyarddiscovery.com

SAVE THIS ASSEMBLY MANUAL FOR FUTURE REFERENCE IN THE EVENT THAT YOU NEED TO ORDER REPLACEMENT PARTS.

Para obtener instrucciones en español, visite www.backyarddiscovery.com • Pour des instructions en français, visitez www.backyarddiscovery.com



GOCONFIGURE
Putting it all together for you

INSTALLATION SERVICES AVAILABLE!*

Need a helping hand?

Let our team of professionals handle the installation for you!

GOCONFIGURE
888-888-5424

**Installation services are only available
to U.S. customers.*

With Go Con! gure, we bring you 18 years of experience right to your doorstep. We service a wide array of indoor and outdoor recreation products that most consumers don't have the time or ability to deliver & install themselves.

We do the heavy lifting, so you don't have to!

-
- 18+ Years of Experience Servicing Big Box Retailers and Direct Consumers
 - Highly Skilled, Specialized, Courteous, Professional Service Technicians
 - Over 140,000 Installations Annually
 - White Glove Service

- Satisfaction Guarantee
 - Flexible Appointments, including weekends
 - Coverage across the nation
- Visit www.goconfigure.com for more info!**
-

**Installation services are only available to U.S. customers.*



The store where you made your purchase does not stock parts for this item.

If you have assembly questions or you are missing or have damaged parts, please call

1-800-856-4445

you can also visit www.backyarddiscovery.com

or e-mail customerservice@backyarddiscovery.com

Please have the following information ready when you make your call:

- Model Number of the product located on the front of the assembly manual
 - The item description and number from the parts list from the manual that was included in your box
-
- Read entire assembly manual, paying special attention to the important tips and safety information.
 - Ensure there are no missing pieces by first separating and identifying all parts.
 - Make sure to check packing material for small parts that may have fallen out during shipment.
 - Structures are not intended for public use. Any unintended use such as home child care, daycare center, faith center, government facility, home owner's associate, park or school will make the warranty of our product null & void.
 - This manual contains helpful information concerning assembly preparation, installation procedure and required maintenance.
 - Always keep safety in mind as your structure is being built.
 - Keep these instructions for future reference.



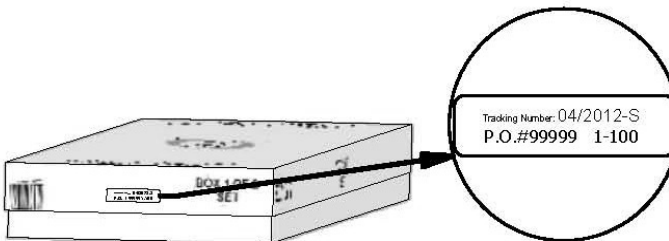
Please read entire booklet completely before beginning the assembly process

Please retain these instructions and your receipt for future reference. Keep them in a safe place where you can refer to them as needed. In order to provide you with the most efficient service, it is required that you provide us with the part numbers when ordering parts.

For Your Records:

Please take time and fill out the information below. This information will be needed for warranty issues.

Where Purchased: _____
 Date of Purchase: _____
 Installation Date: _____
 Installed by: _____
 Tracking Number: _____



Tracking Number Reference Label

Tracking ID number on the carton and on the bottom of the vertical ID plate are included for tracking purposes associated with warranty claims.

This Limited Warranty by Backyard Discovery applies to products manufactured under the Backyard Discovery brand or its other brands including but not limited to Backyard Botanical, Adventure Playsets, and Leisure Time Products.

Backyard Discovery warrants that this product is free from defect in materials and workmanship for a period of one (1) year from the original date of purchase. This one (1) year warranty covers all parts including wood, hardware, and accessories. All wood carries a 5 year pro-rated warranty against rot and decay. Refer to the schedule below for charges associated with replacement of parts under this Limited Warranty. In addition, Backyard Discovery will replace any parts within the first 30 days from date of purchase found to be missing from or damaged in the original packaging.

This warranty applies to the original owner and registrant and is non-transferable. Regular maintenance is required to assure maximum life and performance of this product. Failure by the owner to maintain the product according to the maintenance requirements may void this warranty. Maintenance guidelines are provided in the Owner's Manual.

This Limited Warranty does not cover:

- Labor for any inspection
- Labor for replacement of any defective item(s)
- Incidental or consequential damages
- Cosmetic defects which do not affect performance or integrity of a part or the entire product
- Vandalism, improper use, failure due to loading or use beyond the capacities stated in the applicable Assembly Manual.
- Acts of nature including but not limited to wind, storms, hail, floods, excessive water exposure
- Improper installation including but not limited to installation on uneven, unlevel, or soft ground
- Minor twisting, warping, checking, or any other natural occurring properties of wood that do not affect performance or integrity

Backyard Discovery products have been designed for safety and quality. Any modifications made to the original product could damage the structural integrity of the unit leading to failure and possible injury. Modification voids any and all warranties and Backyard Discovery assumes no liability for any modified products or consequences resulting from failure of a modified product.

This product is warranted for RESIDENTIAL USE ONLY. Any unintended use such as home child care, daycare center, faith center, government facility, home owner's associate, park or school will make the warranty of our product null & void.

Pro Rated Part Replacement Schedule

<u>Product Age</u>	<u>Customer Pays</u>
All Parts	
0-30 days from date of purchase	\$0 and free shipping
31 days to 1 year	\$0 + S&H
Wood Rot and Decay Only	
1 year	\$0 and free shipping
2 year	20% + S&H
3 year	40% + S&H
4 year	60% + S&H
5 year	80% + S&H
Over 5 years	100% + S&H



WARNING

IT IS IMPORTANT TO CHECK AND TIGHTEN ALL HARDWARE AT THE BEGINNING AND DURING THE SEASON AS THEY MAY LOOSEN DUE TO WOOD EXPANSION AND CONTRACTION.

- Wood is NOT flame retardant and will burn. Grills, fire pits and chimineas are a fire hazard if placed too close to your structure.
- Wear gloves to avoid injury during installation.
- During installation, follow all safety warnings provided with your tools and use safety glasses.
- Check all nuts and bolts twice monthly during the usage season and tighten as required.(But not so tight that you crack the wood) It is particularly important that this procedure be followed at the beginning of each season.
- Check all coverings for bolts and sharp edges twice monthly during usage season to be certain they are in place. Replace when necessary. It is especially important to do this at the beginning of each new season.
- For rusted areas on metallic members such as hinges, brackets, etc. sand and repaint, using a non lead-based paint meeting the requirements of Title 16 CRF Part 1303.
- Inspect wood parts monthly. The grain of the wood sometimes will lift in the dry season causing splinters to appear. Light sanding may be necessary to maintain a safe environment. Treating your Product with protection (sealant) after sanding will help prevent severe checking/ splitting and other weather damage.
- We have applied an oil based stain to your unit. This is done for color only. Once or twice a year, depending on your climate conditions, you must apply some type of protection (sealant) to the wood of your unit. Prior to the application of sealant, lightly sand any "rough" spots on your set. Please note this is a requirement of your warranty.

OWNERS SHALL BE RESPONSIBLE FOR MAINTAINING THE LEGIBILITY OF THE WARNING LABELS



Your Backyard Discovery structure is designed and constructed of quality materials. As with all outdoor products it will weather and wear. To maximize the enjoyment, safety and life of your structure it is important that you properly maintain it.

About Our Wood

Your Backyard Discovery product is made out of 100% Acacia wood. Although we take great care in selecting the best quality lumber available, wood is still a product of nature and susceptible to weathering which can change the appearance of your set.

What causes weathering? Does it affect the strength of my product?

One of the main reasons for weathering is the effects of water (moisture); the moisture content of the wood at the surface is different than the interior of the wood. As the climate changes, moisture moves in or out of the wood, causing tension which can result in checking and or warping. You can expect the following due to weathering. These changes will not affect the strength of the product:

1. Checking is surface cracks in the wood along the grain. A post (4" x 4") will experience more checking than a board (1" x 4") because the surface and interior moisture content will vary more widely than in thinner wood.

2. Warping results from any distortion (twisting, cupping) from the original plane of the board and often happens from rapid wetting and drying of the wood.

3. Fading happens as a natural change in the wood color as it is exposed to sun-light and will turn grey over time.

How can I reduce the amount of weathering to wood product?

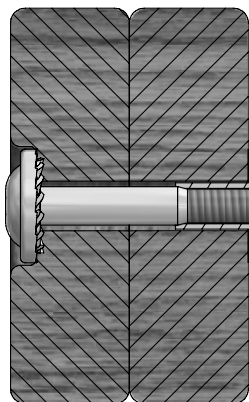
1. Your wood product is coated with an oil-based stain. Sunlight will break down the coating, so we recommend applying teak oil on a yearly basis (see your local stain and paint supplier for a recommended product). You must apply some type of protection (sealant) to the wood of your product. **Please note this is a requirement of your warranty.** Most weathering is just the normal result of nature and will not affect safety. However if you are concerned that a part has experienced a severe weathering problem please call our customer service department for further assistance.

2. Inspect wood parts monthly. The grain of the wood sometimes will lift in the dry season causing splinters to appear. Light sanding may be necessary to maintain a safe environment. Treating your Product with protection (sealant) after sanding will help prevent severe checking/ splitting and other weather damage.



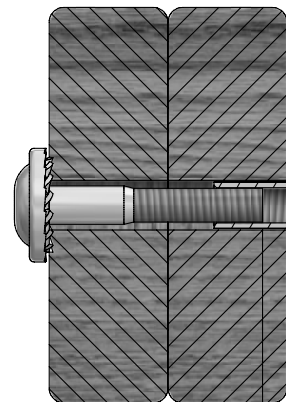
Protrusion Hazard

Incorrect



If you see exposed threads and your bolt protrudes beyond the T-Nut you may have overtightened the bolt or used incorrect hardware. If you've overtightened, remove the bolt and add washers to eliminate the protrusion.

Correct

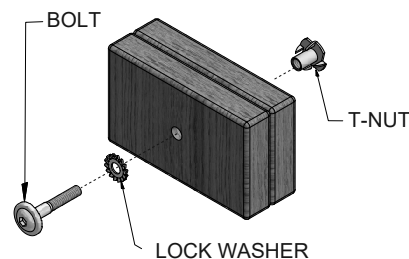


1/8"

Proper Hardware Assembly

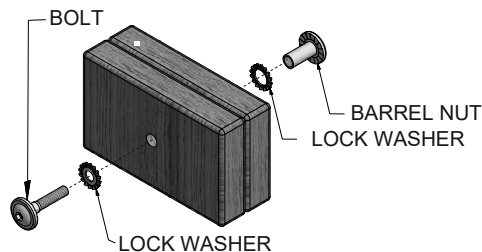
Bolt and T-Nut Assembly

Tap T-nut into the provided hole. Insert your bolt through the lock washer and insert into the provided hole opposite from the T-Nut. Turn clockwise to thread into T-nut. Do not completely tighten until instructed.



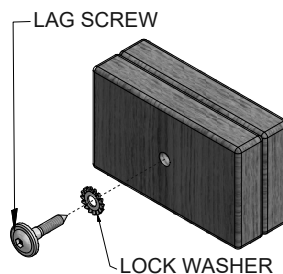
Bolt and Barrel Nut Assembly

Insert barrel nut through the lock washer and press the pair through the provided hole. Insert your bolt through the second lock washer and insert the pair into the provided hole opposite from the barrel nut. Turn clockwise to thread into the barrel nut. Do not completely tighten until instructed.



Lag Assembly

Normally there will be a pre-drilled pilot hole on assemblies that require a Lag Screw. If there is no pilot hole, line up the two boards as they are to be attached and use the factory drilled hole as a guide to drill another pilot hole into the adjoining board. This will keep the wood from splitting. Only a lock washer is required for steps with Lag Screws.

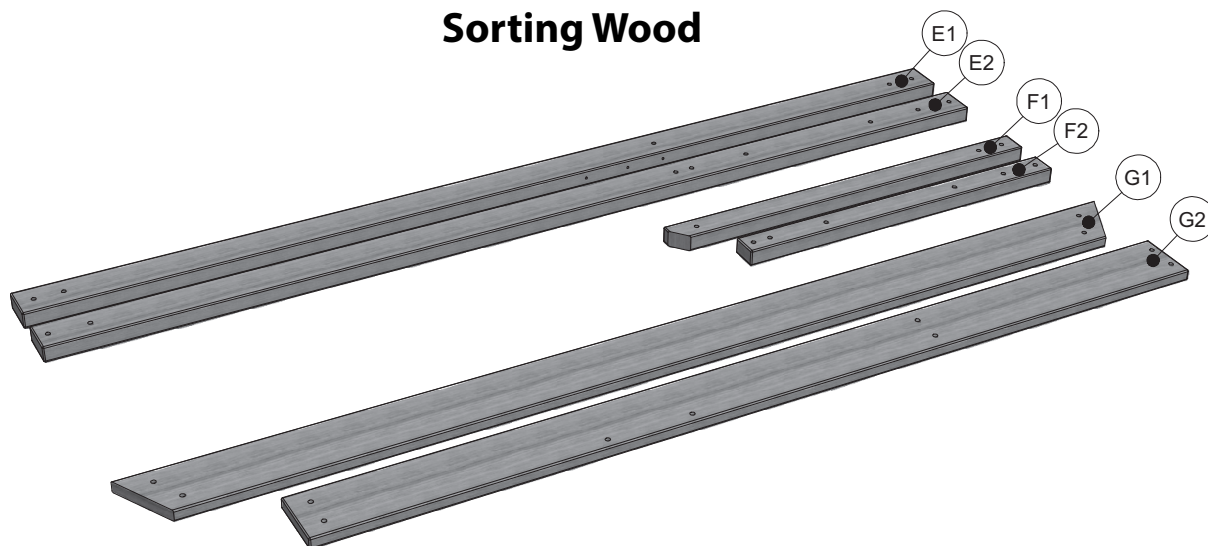




ASSEMBLY TIP:

Keep and eye out for these boxes which will contain helpful pictures and information making the assembly process as quick and painless as possible.

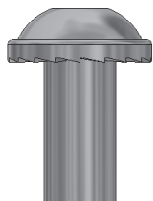
Sorting Wood



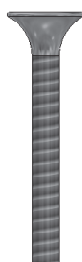
When removing the wood from the boxes we recommend arranging them by part number before you begin assembly. This will allow for faster assembly and easily identify any parts that may be missing or damaged.

Sorting Hardware

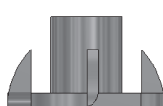
NUT BARREL
H100545



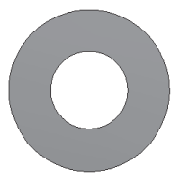
SCREW
H100695



T-NUT
H100699



WASHER FLAT
H100706



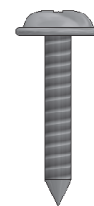
BOLT HEX
H100716



BOLT
H100718



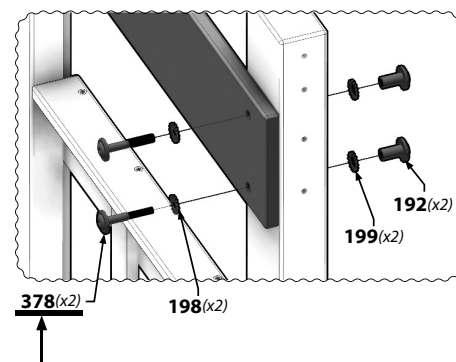
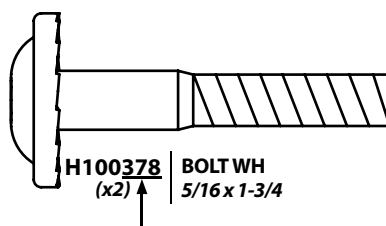
SCREW PWH
H100742

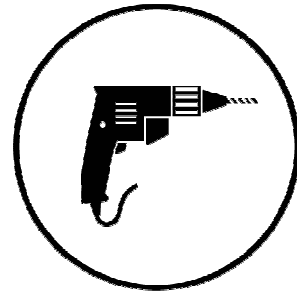
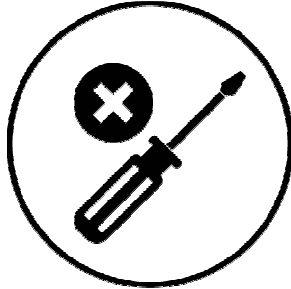
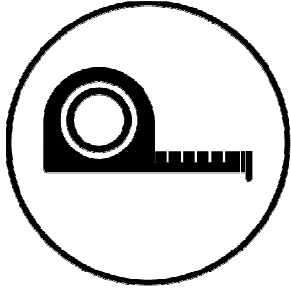
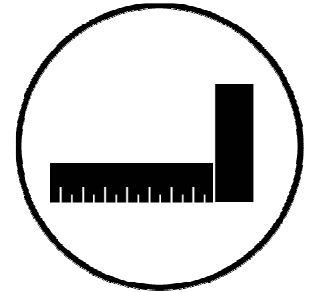
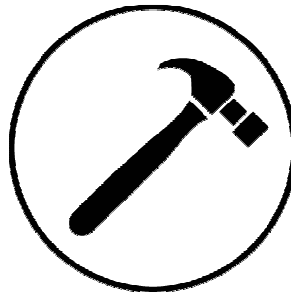
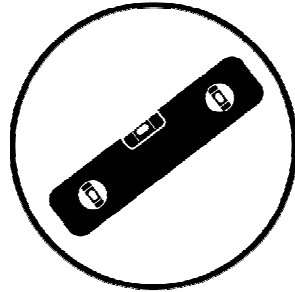
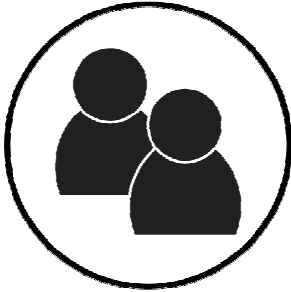


To help with assembly we recommend sorting your hardware bags with the seven digit alpha-numeric number printed on the bags or by hardware type (i.e. bolts, nuts, etc.). Organizing your hardware will make assembly easier.

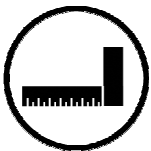
Hardware Identification

Hardware bags are printed with a seven digit alpha-numeric part number. During assembly you only need to reference the last three digits of the part number as noted in each step. This will make finding the correct hardware easier.

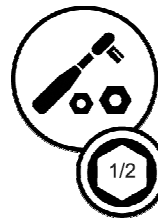




Icons and their uses you will see throughout this manual



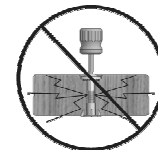
You will need to make sure that your assembly is square before tightening your bolts.



When you see this icon you will need a socket wrench. The icons below show the size of attachments needed for assembly 1/2.



For proper assembly you will need to ensure that your structure is level before proceeding to the next step.



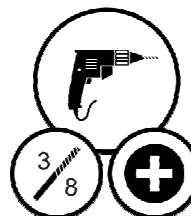
This icon warns you to not over tighten your bolts. This is to prevent structural damage and also splintering your wood.



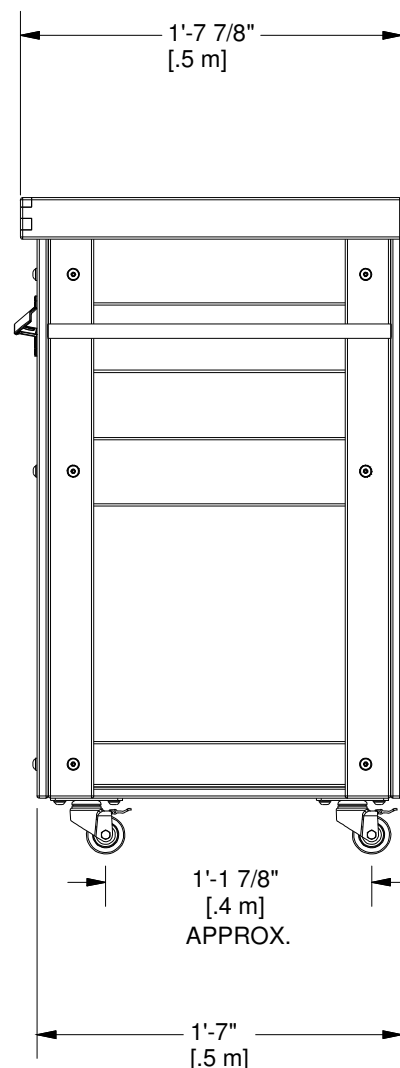
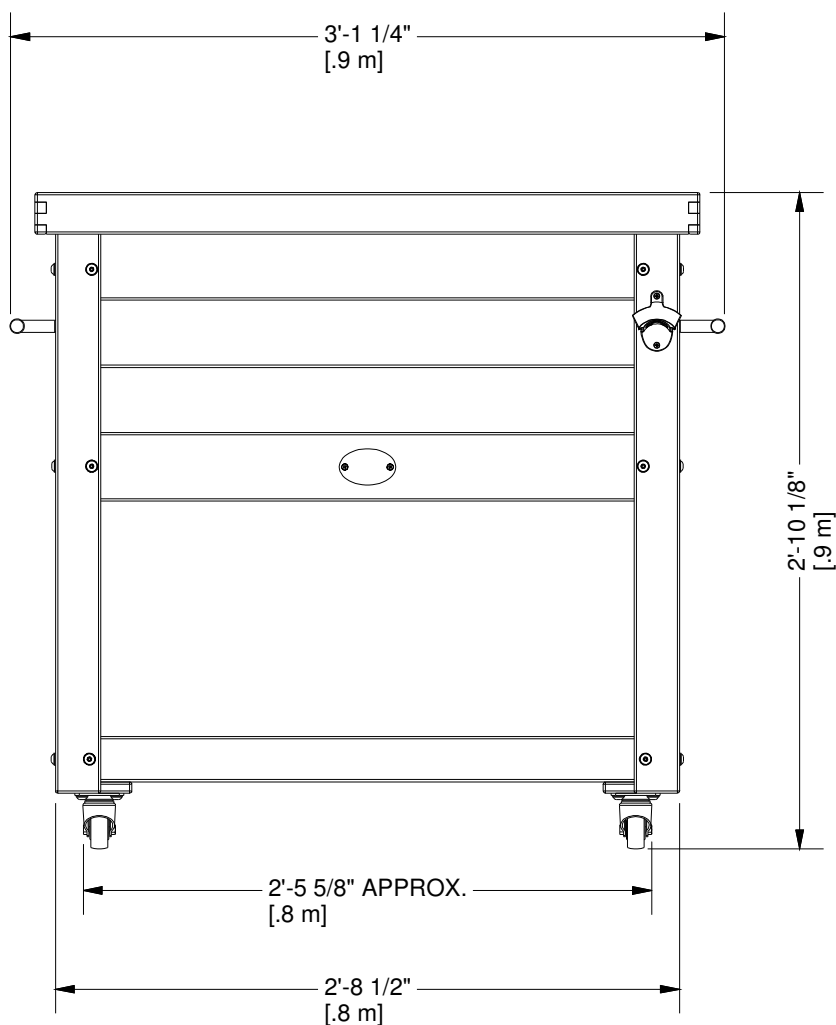
Some steps in the assembly process will require an extra set of hands. Make sure you have a helper available.



This icon shows the size of an open ended wrench. Using the wrench as the fraction bar.



This icon will show you what drill attachments are needed. For this example you will need a Phillips head attachment and 3/8 socket.



Important Assembly Notes

- 1) While assembling unit, take time before and after each step to make sure unit is level. If unit is not level, assembly will be difficult and improper assembly may result. Extra care must be taken to ensure the unit is square.
- 2) Pay close attention to the ITEMS NEEDED FOR EACH STEP. They can be a valuable aid when sorting your wood and hardware. Assembly will be made easier if items are sorted by phase.
- 3) Pay close attention to make sure you are using the correct hardware in the correct step. Using incorrect hardware may result in improper assembly.
- 4) Whenever a T-nut is used, follow these directions. Place T-nut in pre-drilled hole. Tap in with hammer. Place bolt with washers in the opposite side. Hand tighten to make sure the bolt is in the T-nut. DO NOT over tighten.
- 5) Read each step thoroughly. The written steps may include important information not shown in the illustrations.



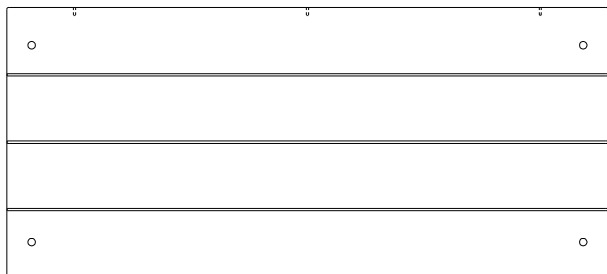
Wood Components (Not to Scale)



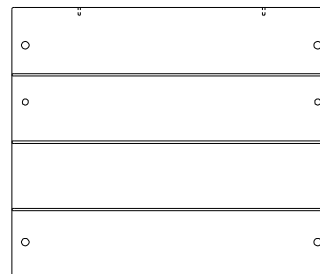
MN1 | UPRIGHT - W4L15381
(x4) | 5/8"x2 3/8"x29 1/4" (15x60x742)



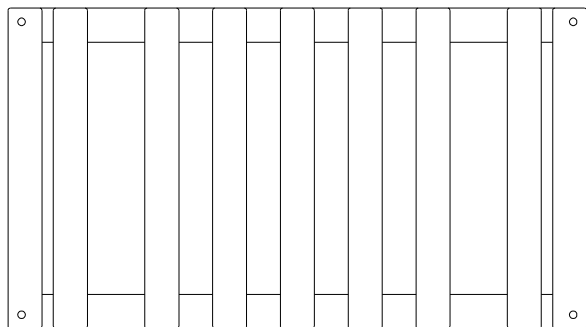
MN3 | UPRIGHT - W4L15382
(x4) | 5/8"x2 3/8"x29 1/4" (15x60x742)



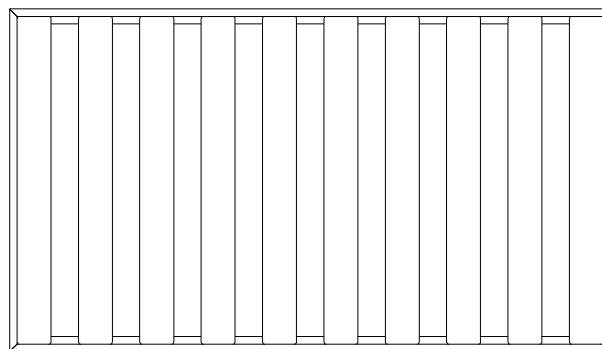
PB1 | PANEL BOARD - W4L15383
(x2) | 5/8"x14"x31 3/8" (15x356x796)



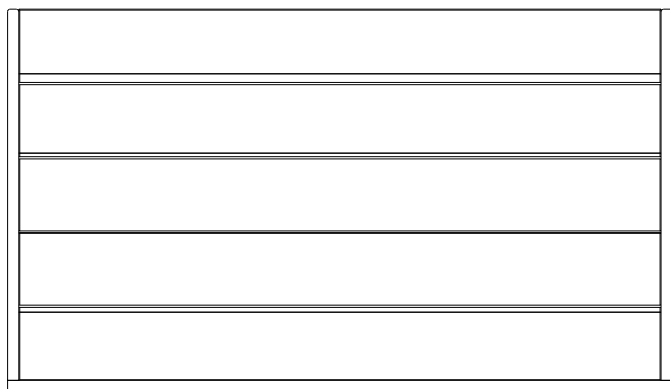
PB2 | PANEL BOARD - W4L15384
(x2) | 5/8"x14"x16 5/8" (15x356x423)



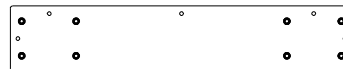
CP1 | COOLER PANEL - W2A02887
(x1) | 1 1/8"x16 5/8"x30 3/16" (28x423x766)



CP2 | COOLER SHELF - W2A02888
(x1) | 2 3/8"x17 13/16"x31 5/16" (60x453x796)



TA01 | TOP ASSEMBLY - W2A02896
(x1) | 2 5/8"x19 7/8"x34 5/8" (66x505x880)



MN2 | CASTER BOARD - W2A02889
(x2) | 9/16"x3 3/8"x17 13/16" (15x86x453)



Hardware Components

HARDWARE IS UNIVERSAL AND MAY NOT ALL BE USED



H100390 | SCREW PFH BLK
(x2) | 8x1/2



H100387 | SCREW PFH BLK
(x12) | 8x1-1/4



H100408 | SCREW PWH BLK
(x10) | 8x1/2



H100401 | BOLT WH BLK
(x20) | 1/4x1/2



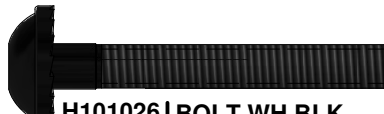
H100171 | BOLT WH BLK
(x16) | 1/4x1



H100397 | BOLT WH BLK
(x4) | 1/4x1 1/4



H100406 | BOLT WH BLK
(x4) | 1/4x1 1/2 EXTRA



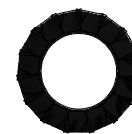
H101026 | BOLT WH BLK
(x8) | 1/4x1-3/4



H100404 | NUT BARREL WH BLK
(x8) | 1/4x5/8



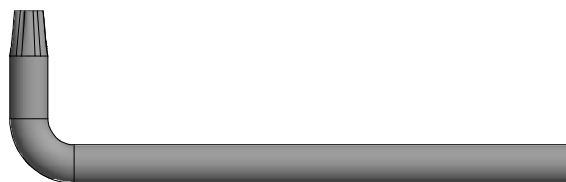
H100399 | NUT BARREL WH BLK
(x4) | 1/4x7/8



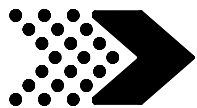
H100400 | WASHER LOCK EXT BLK
(x12) | 8x15



H100405 | WASHER LOCK EXT BLK
(x24) | 6x15



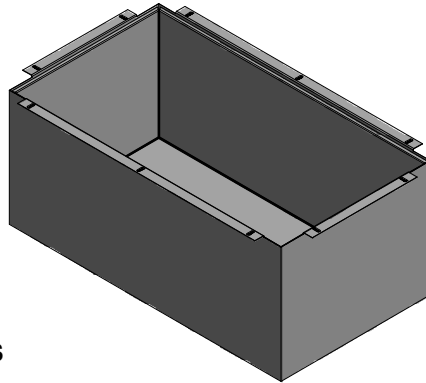
(2) - T-30 TORX WRENCH - H100114



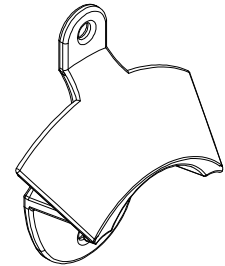
Accessory Components (Not to Scale)



A100241 (x1) | BYD ID TAG (SMALL) WITHOUT AGES



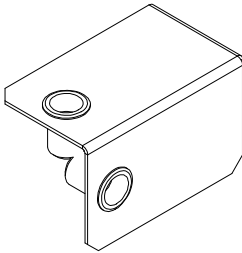
A6P00428 (x1) | COOLER LINER



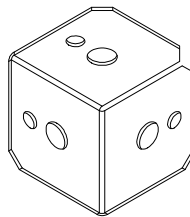
A4M01187 (x1) | BOTTLE CAP OPENER



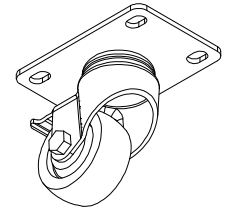
A4M01173 (x2) | HANDLE



A4M01171 (x4) | THREADED BRACKET



A4M00706 (x4) | 3-SIDED-90° BRACKET - BLK

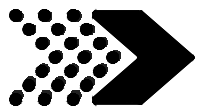


A4M01186 (x4) | CASTER 3"

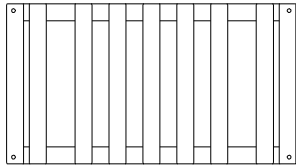


A6P00445 (x1) | BYD COOLER COVER

A6P00447 - IS NOT USED



STEP 1



CP1 | COOLER PANEL - W2A02887
(x1) | 1 1/8"x16 5/8"x30 3/16" (28x423x766)



A4M00706 | 3-SIDED-90° BRACKET - BLK
(x4)



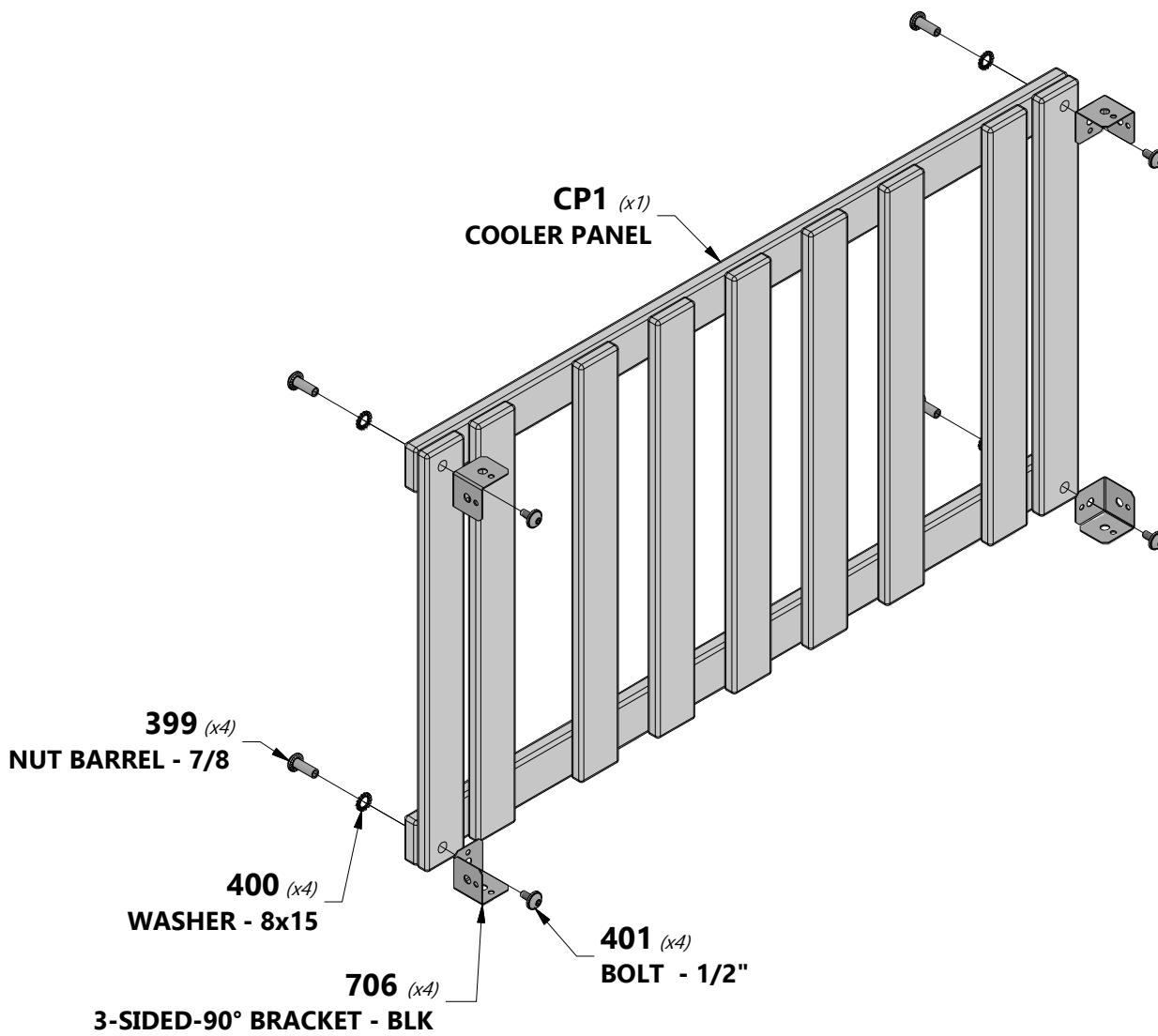
H100401 | BOLT WH BLK
(x4) | 1/4x1/2

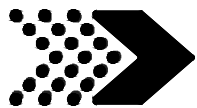


H100399 | NUT BARREL WH BLK
(x4) | 1/4x7/8

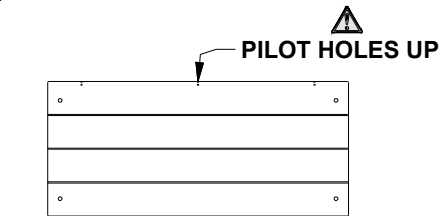


H100400 | WASHER LOCK EXT BLK
(x4) | 8x15



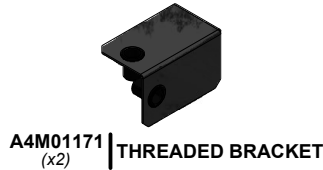


STEP 2



PB1 | **PANEL BOARD - W4L15383**
(x1) | 5/8"x14"x31 3/8" (15x356x796)

MN1 | **UPRIGHT - W4L15381**
(x2) | 5/8"x2 3/8"x29 1/4" (15x60x742)



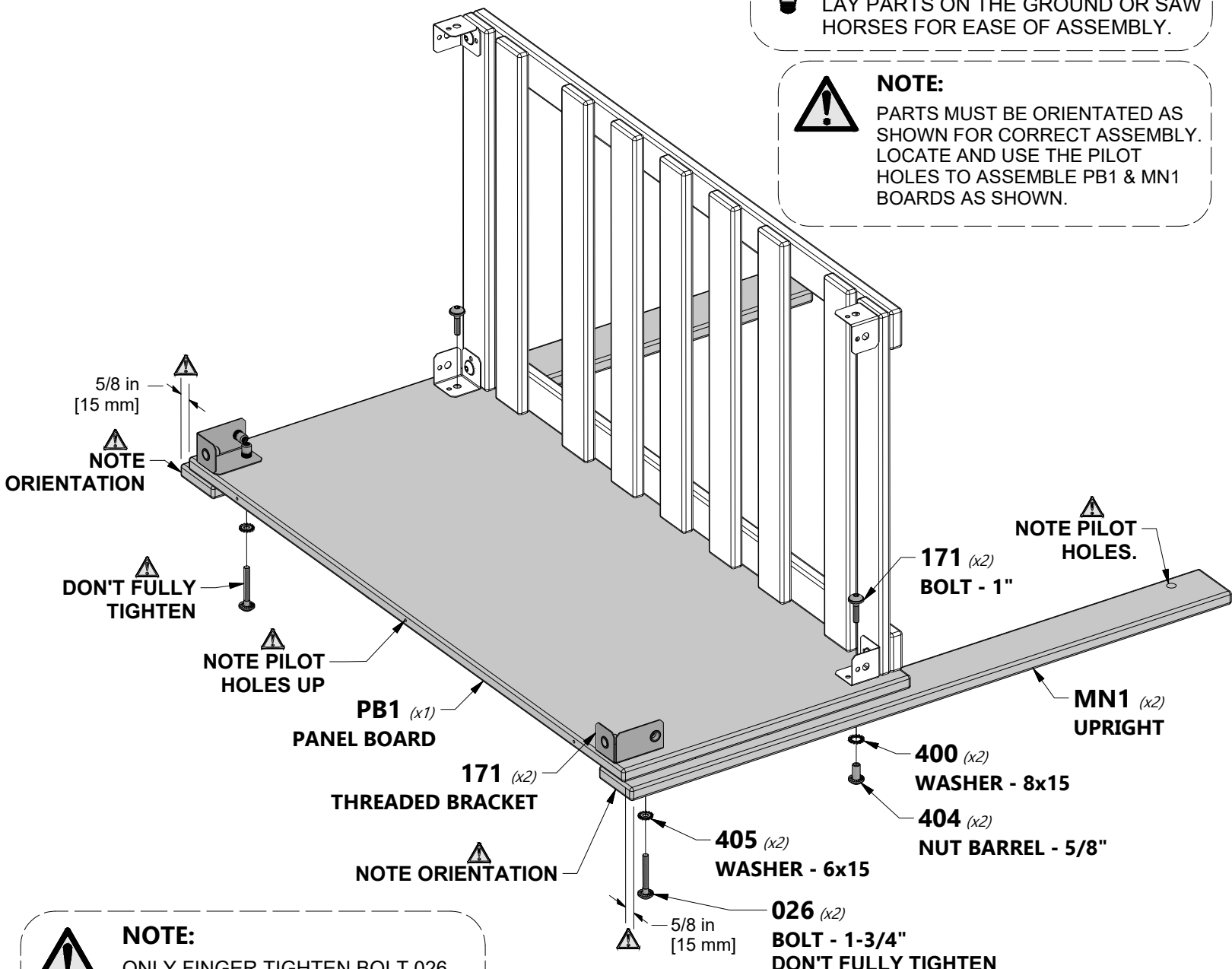
TIP:

LAY PARTS ON THE GROUND OR SAW HORSES FOR EASE OF ASSEMBLY.



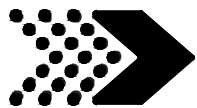
NOTE:

PARTS MUST BE ORIENTATED AS SHOWN FOR CORRECT ASSEMBLY. LOCATE AND USE THE PILOT HOLES TO ASSEMBLE PB1 & MN1 BOARDS AS SHOWN.



NOTE:

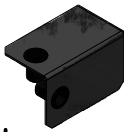
ONLY FINGER TIGHTEN BOLT 026 - 1 3/4" TO PROPERLY ASSEMBLE FUTURE STEPS.



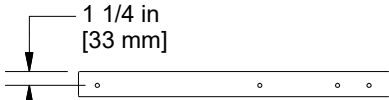
STEP 3A



PB2 | PANEL BOARD - W4L15384
(x1) | 5/8"x14"x16 5/8" (15x356x423)



A4M01171 | THREADED BRACKET
(x1)



MN3 | UPRIGHT - W4L15382
(x2) | 5/8"x2 3/8"x29 1/4" (15x60x742)



H100171 | BOLT WH BLK
(x2) | 1/4x1



H100404 | NUT BARREL WH BLK
(x2) | 1/4x5/8



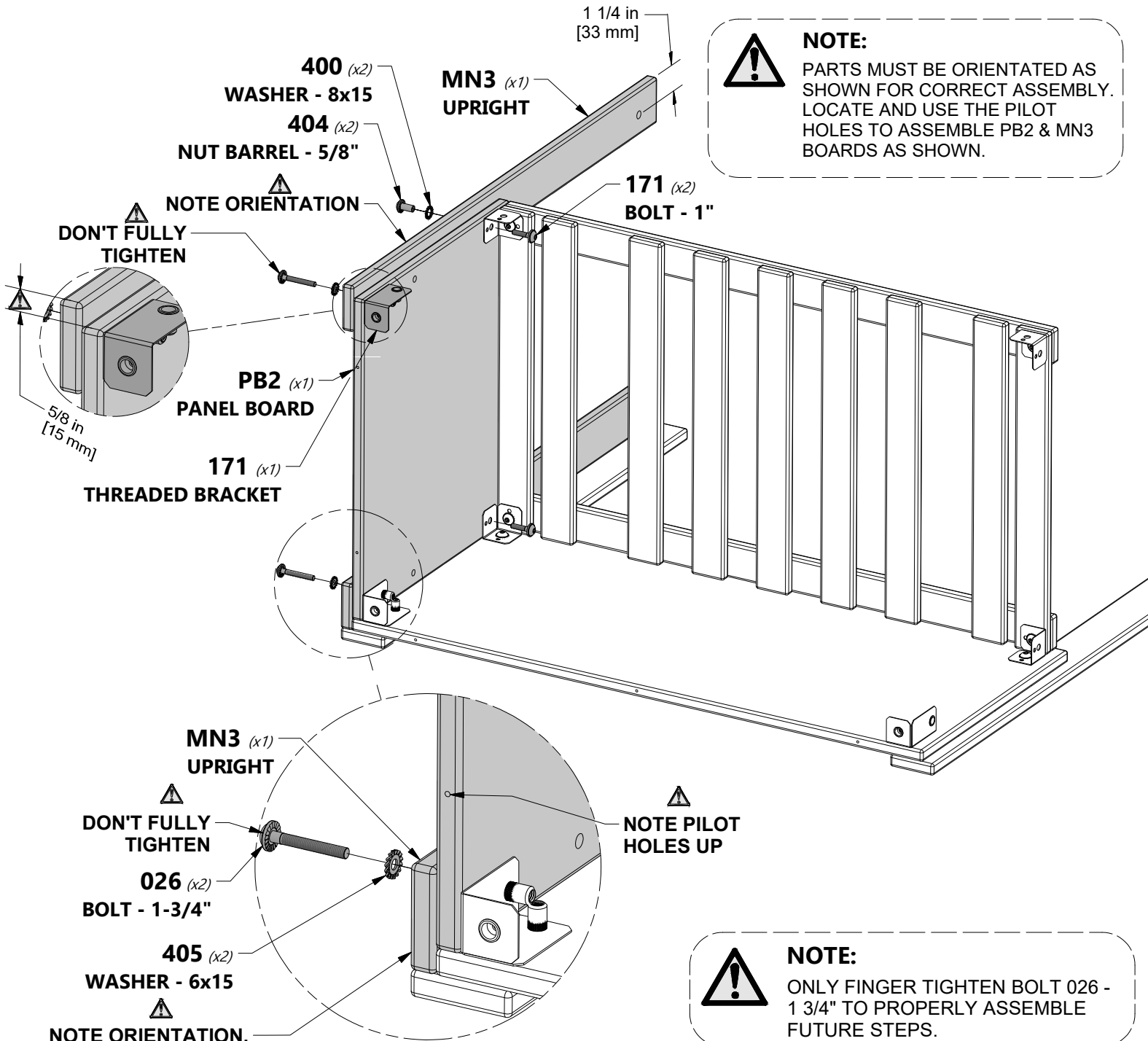
H101026 | BOLT WH BLK
(x2) | 1/4x1-3/4

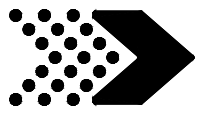


H100400 | WASHER LOCK EXT BLK
(x2) | 8x15

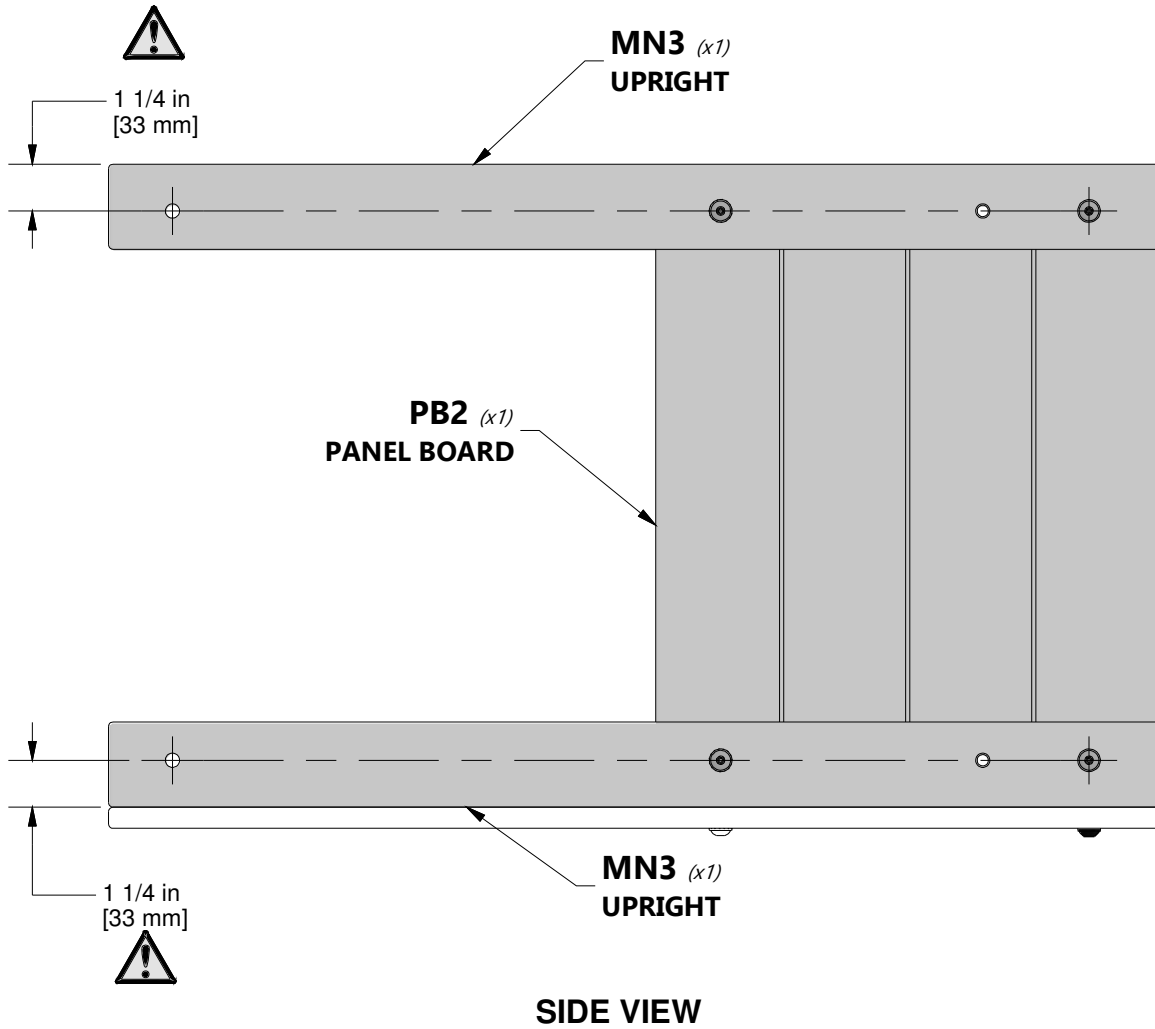


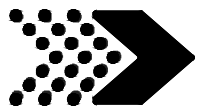
H100405 | WASHER LOCK EXT BLK
(x2) | 6x15



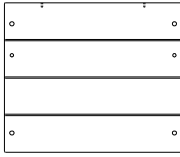


STEP 3B

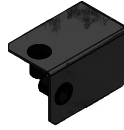




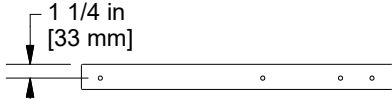
STEP 4A



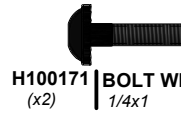
PB2 | PANEL BOARD - W4L15384
(x1) | 5/8"x14"x16 5/8" (15x356x423)



A4M01171 | THREADED BRACKET
(x1)



MN3 | UPRIGHT - W4L15382
(x2) | 5/8"x2 3/8"x29 1/4" (15x60x742)



H100171 | BOLT WH BLK
(x2) | 1/4x1



H101026 | BOLT WH BLK
(x2) | 1/4x1-3/4



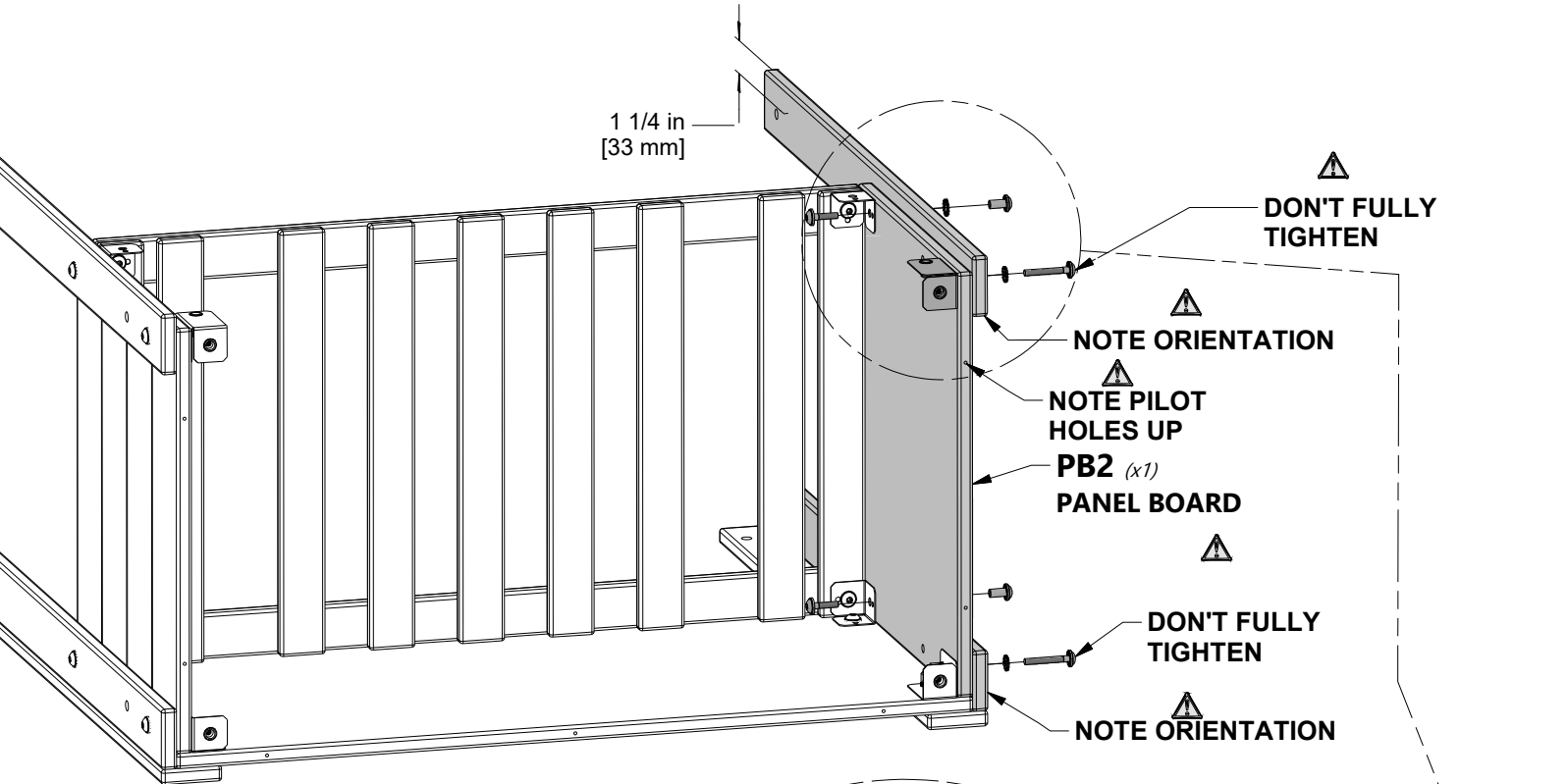
H100404 | NUT BARREL WH BLK
(x2) | 1/4x5/8



H100400 | WASHER LOCK EXT BLK
(x2) | 8x15



H100405 | WASHER LOCK EXT BLK
(x2) | 6x15



NOTE:

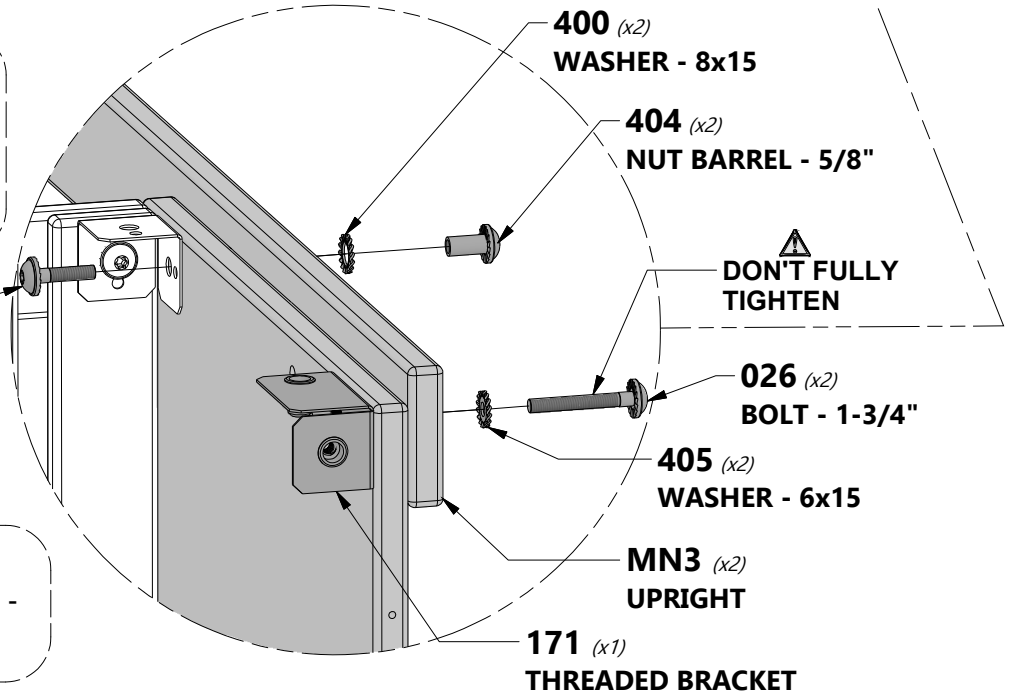
PARTS MUST BE ORIENTATED AS SHOWN FOR CORRECT ASSEMBLY. LOCATE AND USE THE PILOT HOLES TO ASSEMBLE PB2 & MN3 BOARDS AS SHOWN.

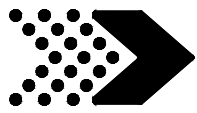
171 (x2)
BOLT - 1"



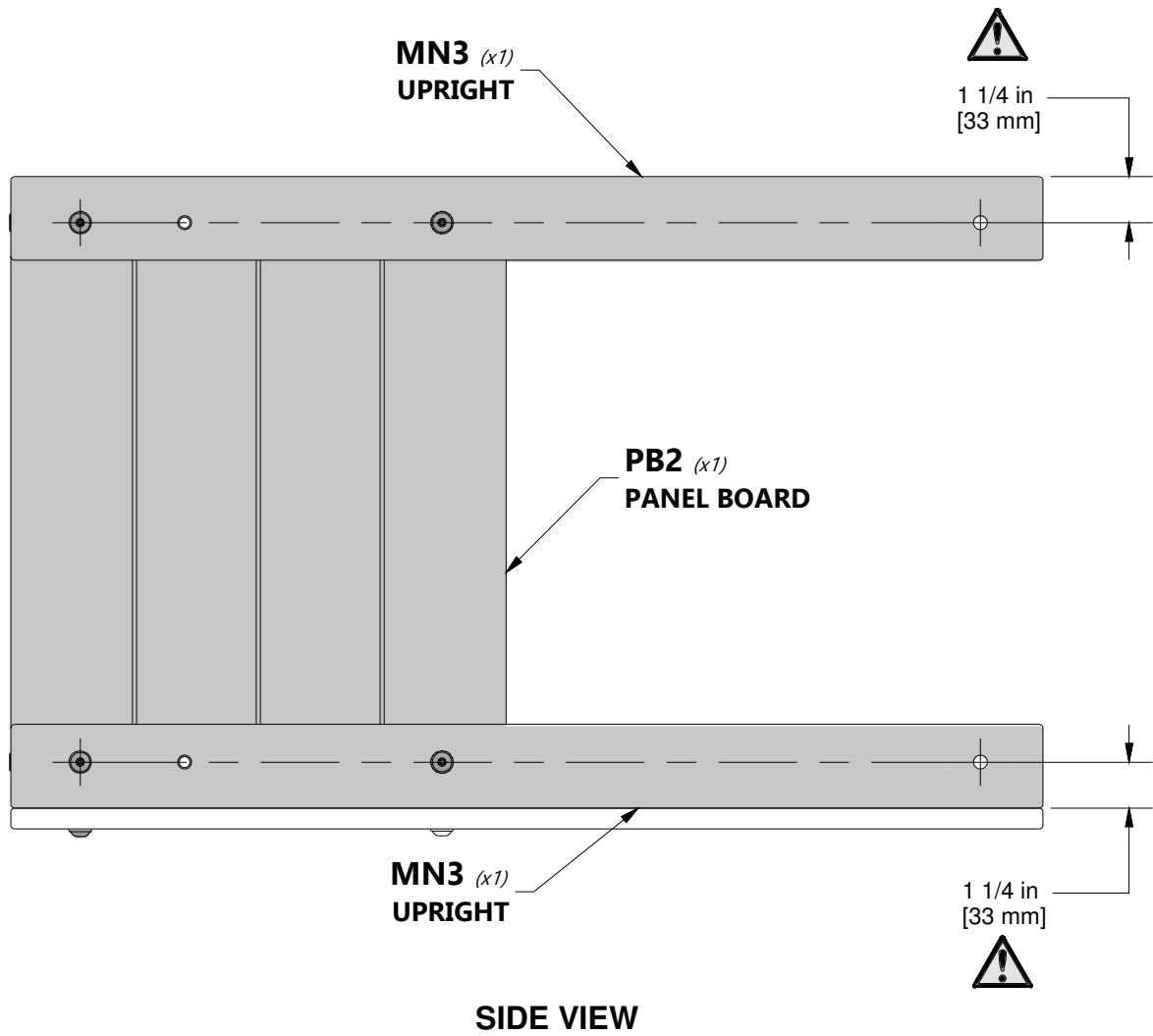
NOTE:

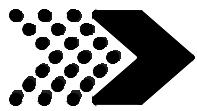
ONLY FINGER TIGHTEN BOLT 026 - 1 3/4" TO PROPERLY ASSEMBLE FUTURE STEPS.



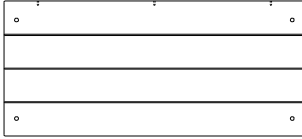


STEP 4B

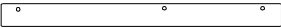




STEP 5



PB1 | **PANEL BOARD - W4L15383**
(x1) | 5/8"x14"x31 3/8" (15x356x796)



MN1 | **UPRIGHT - W4L15381**
(x2) | 5/8"x2 3/8"x29 1/4" (15x60x742)



H100171 | **BOLT WH BLK**
(x2) | 1/4x1



H101026 | **BOLT WH BLK**
(x2) | 1/4x1-3/4



H100404 | **NUT BARREL WH BLK**
(x2) | 1/4x5/8



H100400 | **WASHER LOCK EXT BLK**
(x2) | 8x15



H100405 | **WASHER LOCK EXT BLK**
(x2) | 6x15



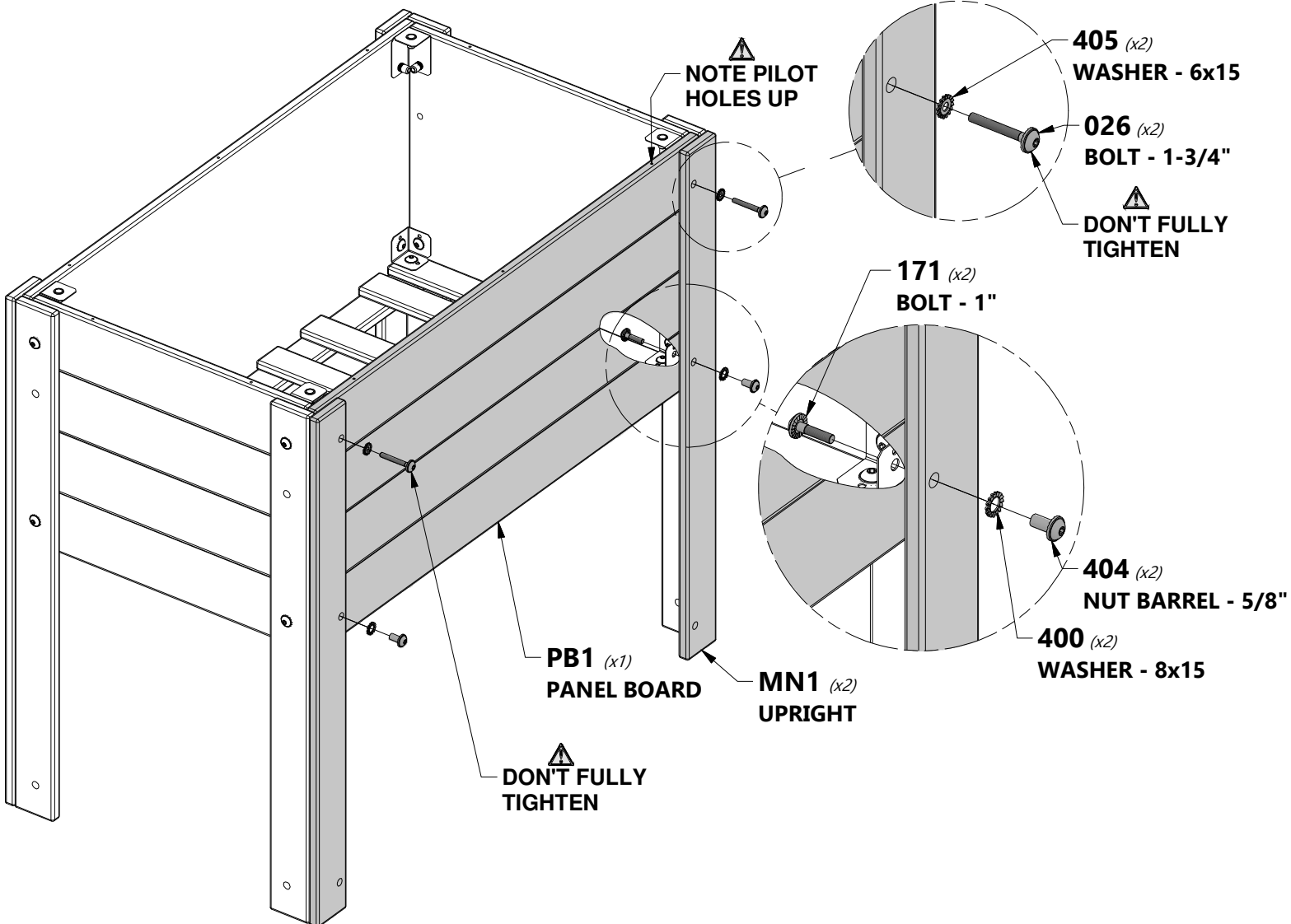
NOTE:

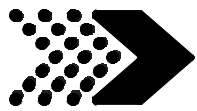
LOCATE AND USE PILOT HOLES IN THE WALL PANEL TO MOUNT THE UPRIGHTS AND BRACKET AS SHOWN.



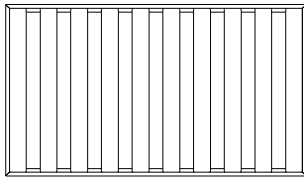
NOTE:

ONLY FINGER TIGHTEN BOLT 026 - 1 3/4" TO PROPERLY ASSEMBLE FUTURE STEPS.





STEP 6



CP2 | COOLER SHELF - W2A02888
(x1) 2 3/8"x17 13/16"x31 5/16" (60x453x796)



H100171 | BOLT WH BLK
(x8) 1/4x1



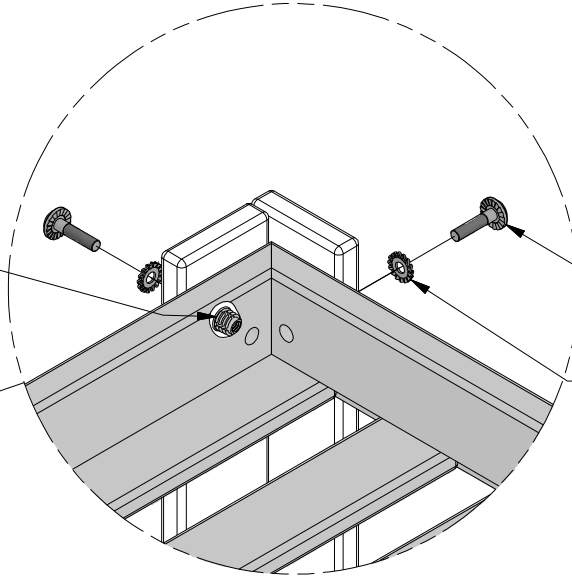
H100405 | WASHER LOCK EXT BLK
(x8) 6x15



NOTE:

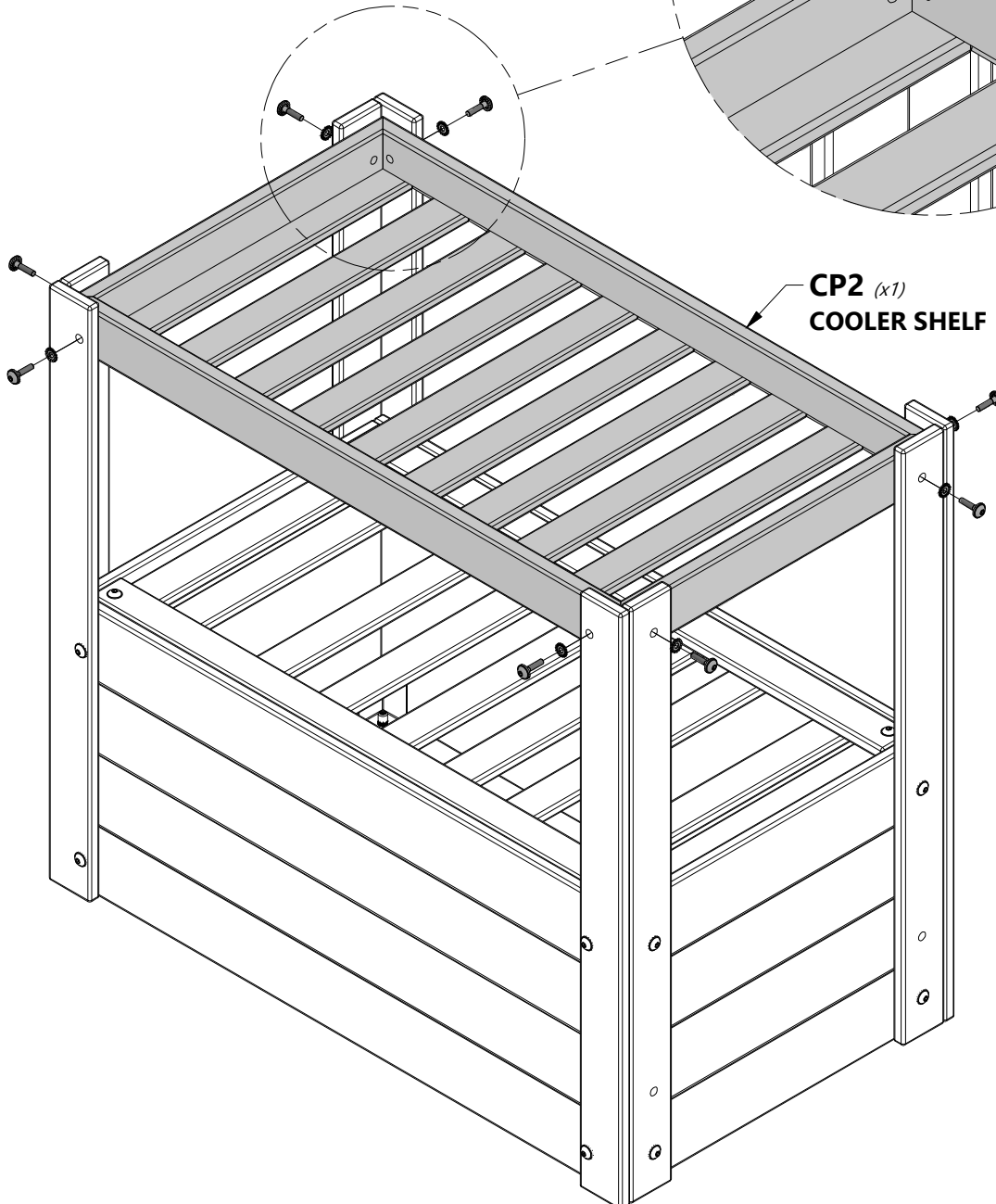
ALIGN PILOT HOLES IN UPRIGHTS WITH THE PILOT HOLES IN THE SHELF AND MOUNT AS SHOWN.

 **NOTE PRE-INSTALLED
THREADED INSERTS**

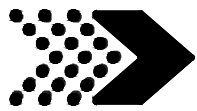


**171 (x8)
BOLT - 1"**

**405 (x8)
WASHER - 6x15**



**CP2 (x1)
COOLER SHELF**



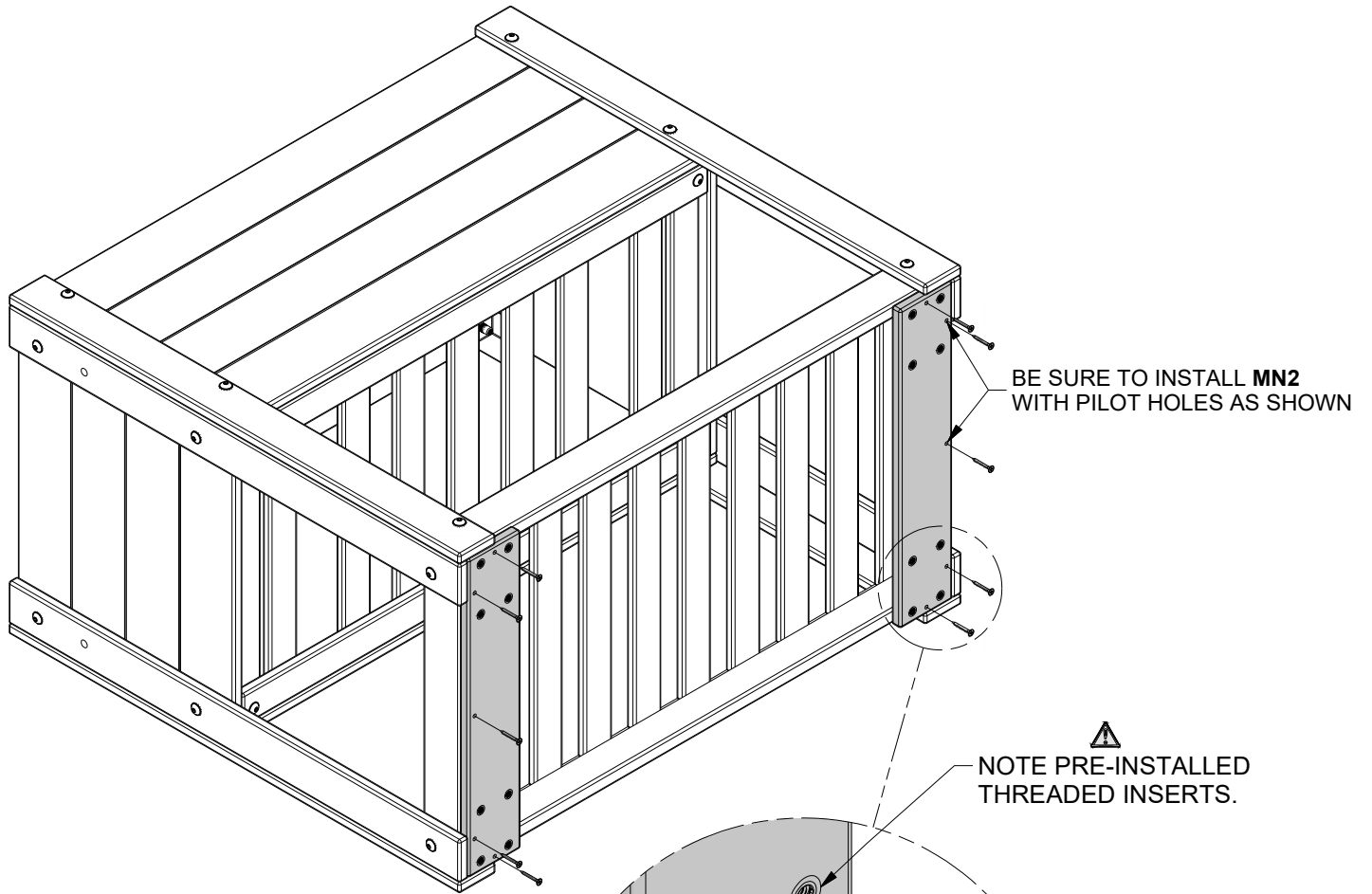
STEP 7



MN2 | CASTER BOARD - W2A02889
(x2) | 9/16"x3 3/8"x17 13/16" (15x86x453)



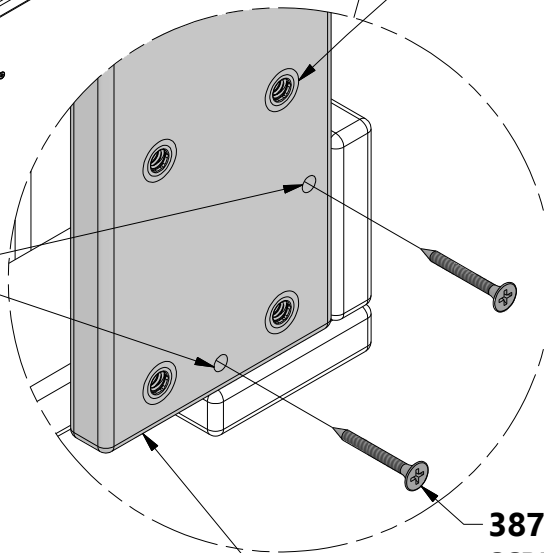
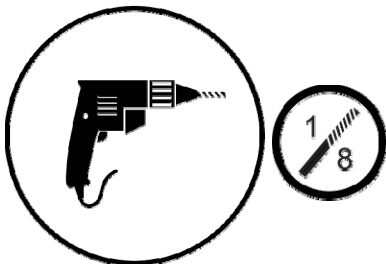
H100387 | SCREW PFH BLK
(x10) | 8x1-1/4



 **NOTE PRE-INSTALLED
THREADED INSERTS.**

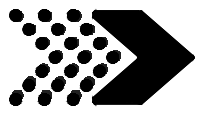


NOTE:
PREDRILL WITH 1/8" DRILL BIT
INTO COOLER USING MN2 AS
TEMPLATE.

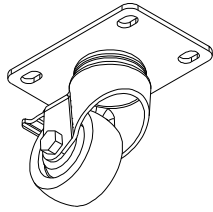


**387 (x10)
SCREW - 1 1/4"**

**MN2 (x2)
CASTER BOARD**



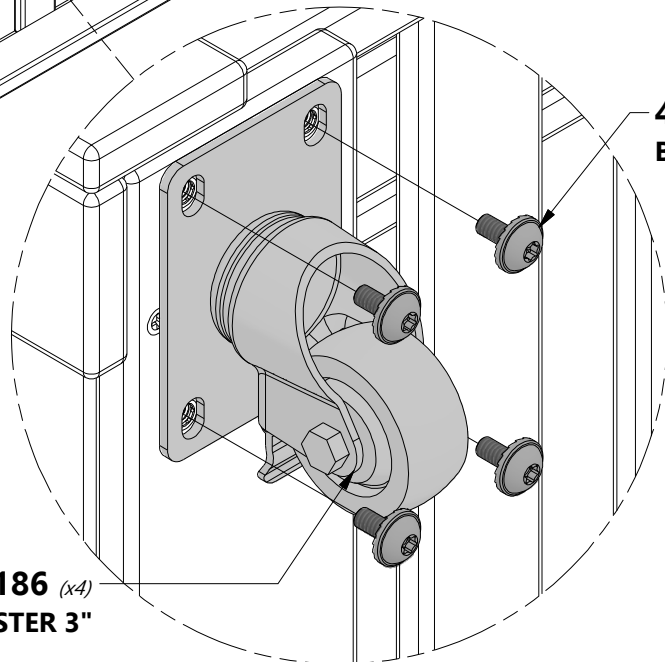
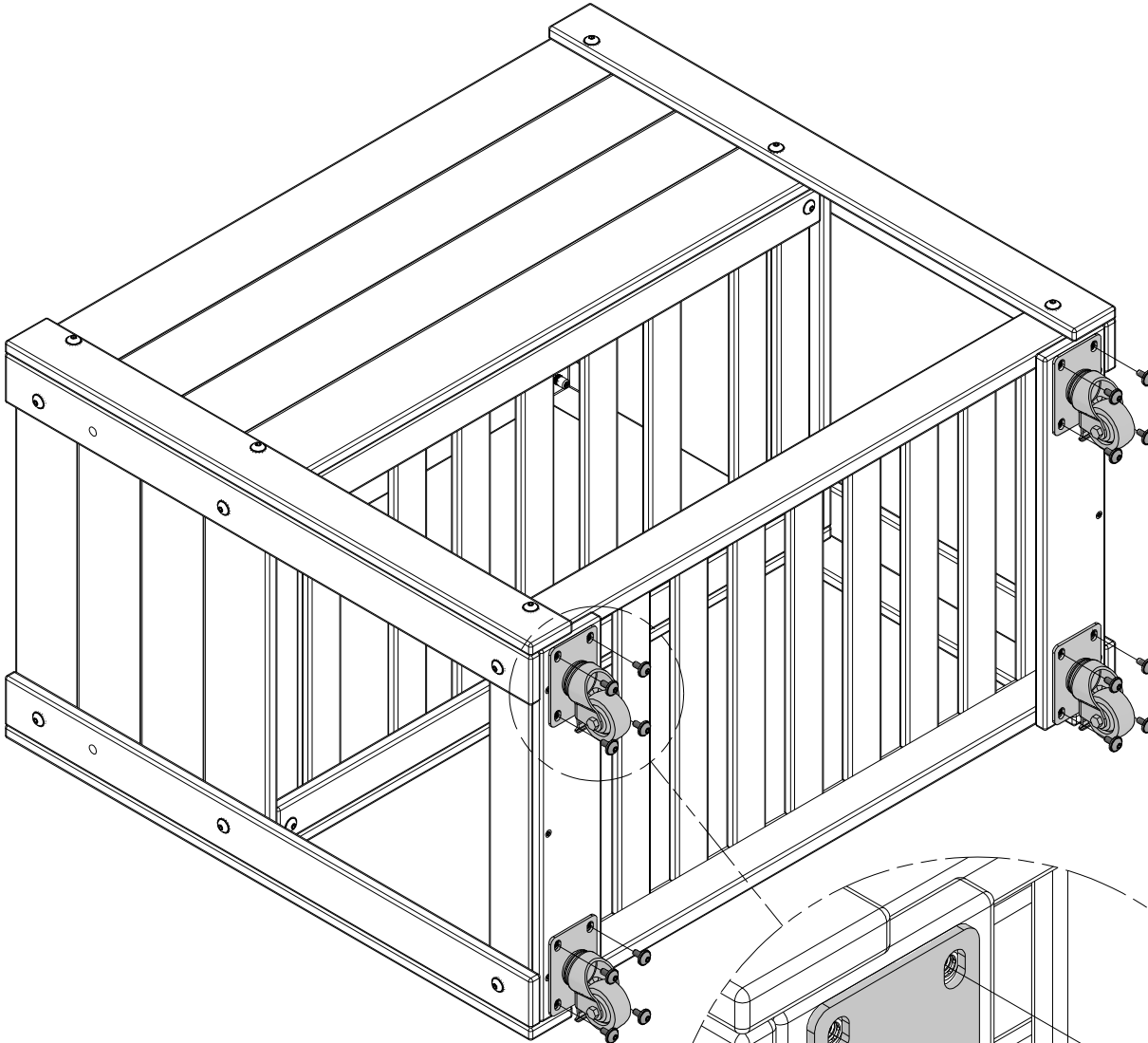
STEP 8



A4M01186 | **CASTER 3"**
(x4)

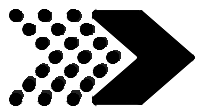


H100401 | **BOLT WH BLK**
(x16) | 1/4x1/2



401 (x16)
BOLT - 1/2"

186 (x4)
CASTER 3"



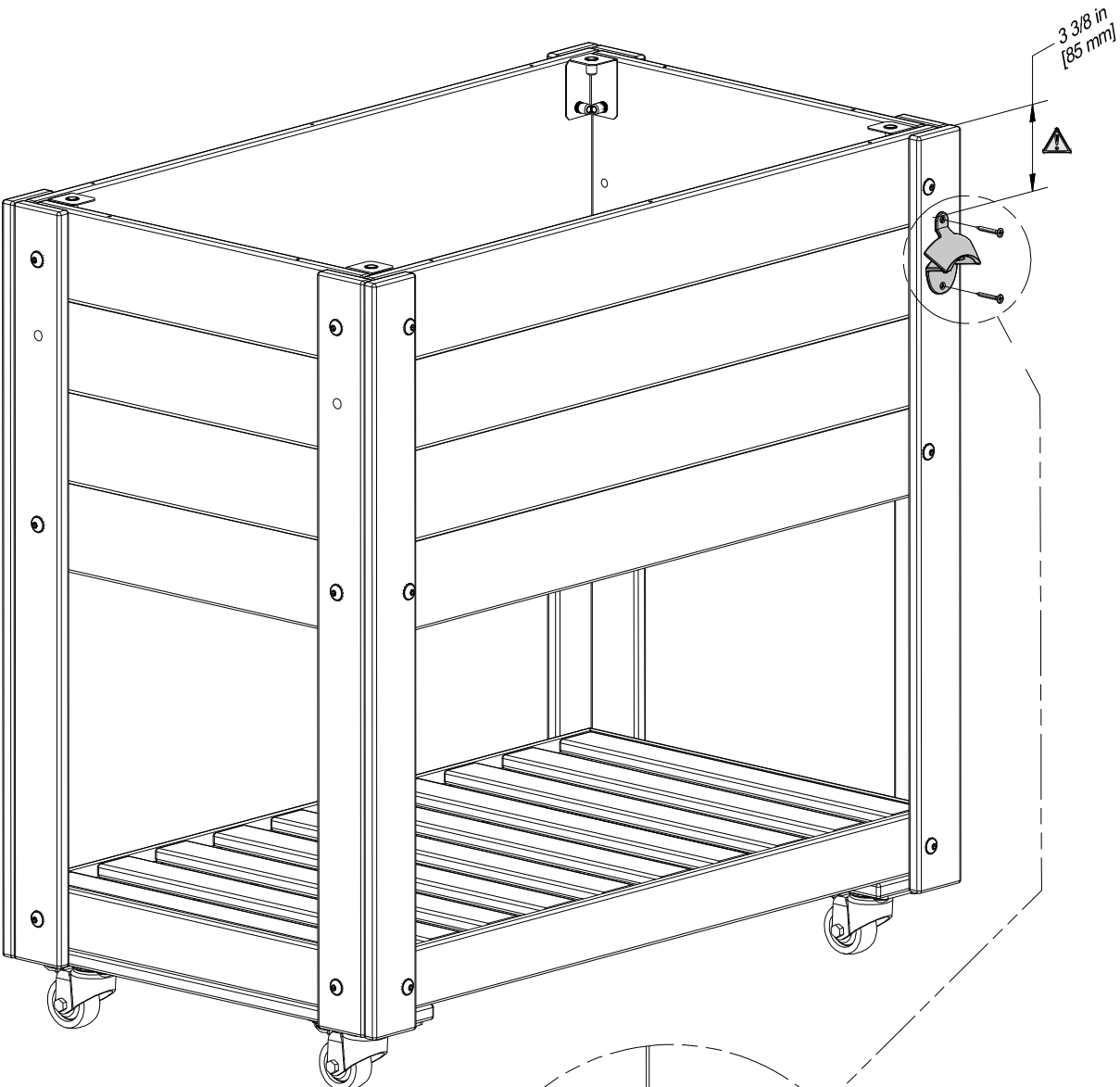
STEP 9



A4M01187 | BOTTLE CAP OPENER
(x1)



H100387 | SCREW PFH BLK
(x2) | 8x1-1/4



187 (x1)
BOTTLE CAP OPENER

387 (x2)
SCREW - 1 1/4"



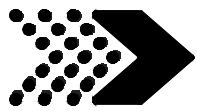
NOTE:

CENTER THE OPENER AND
INSTALL IT AT THE HEIGHT
SHOWN OR TO A HEIGHT OF
YOUR CHOOSING.



TIP:

BEFORE INSTALLING SCREWS,
PRE-DRILL LOCATIONS SHOWN
USING A 1/8" (3MM) DRILL BIT.



STEP 10



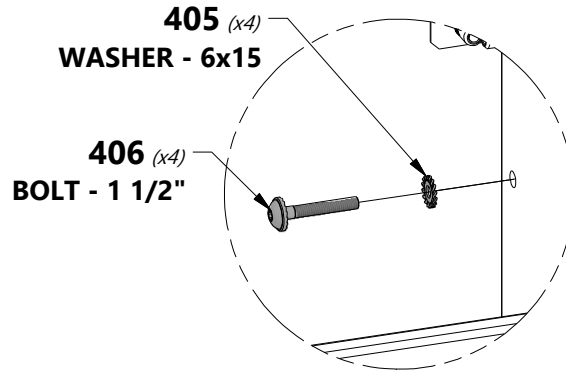
A4M01173 | HANDLE
(x2)



H100406 | BOLT WH BLK
(x4) | 1/4x1 1/2



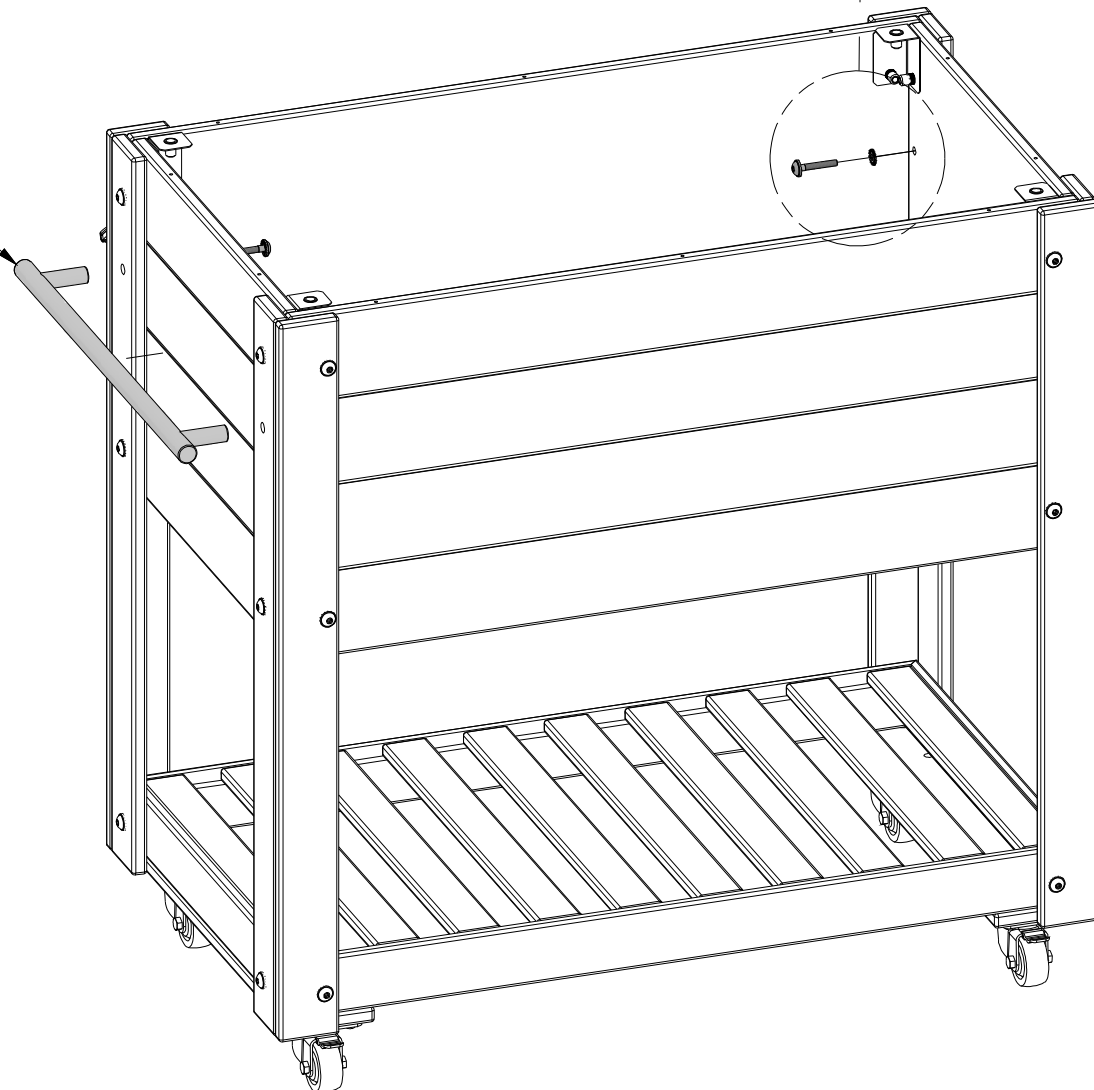
H100405 | WASHER LOCK EXT BLK
(x4) | 6x15



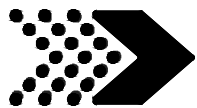
405 (x4)
WASHER - 6x15

406 (x4)
BOLT - 1 1/2"

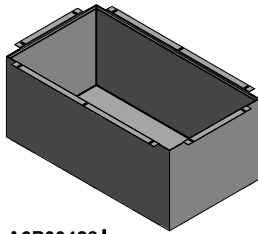
173 (x1)
HANDLE



173 (x1)
HANDLE



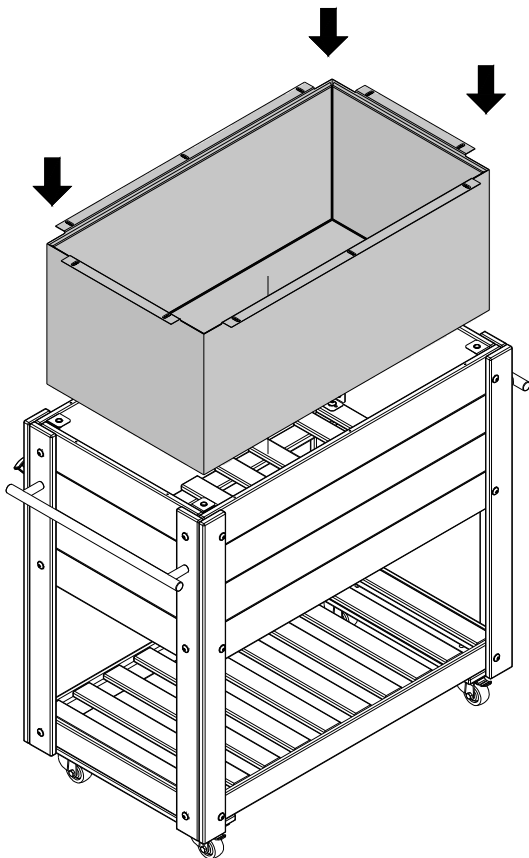
STEP 11



A6P00428 | COOLER LINER
(x1)



H100408 | SCREW PWH BLK
(x10) | 8x1/2



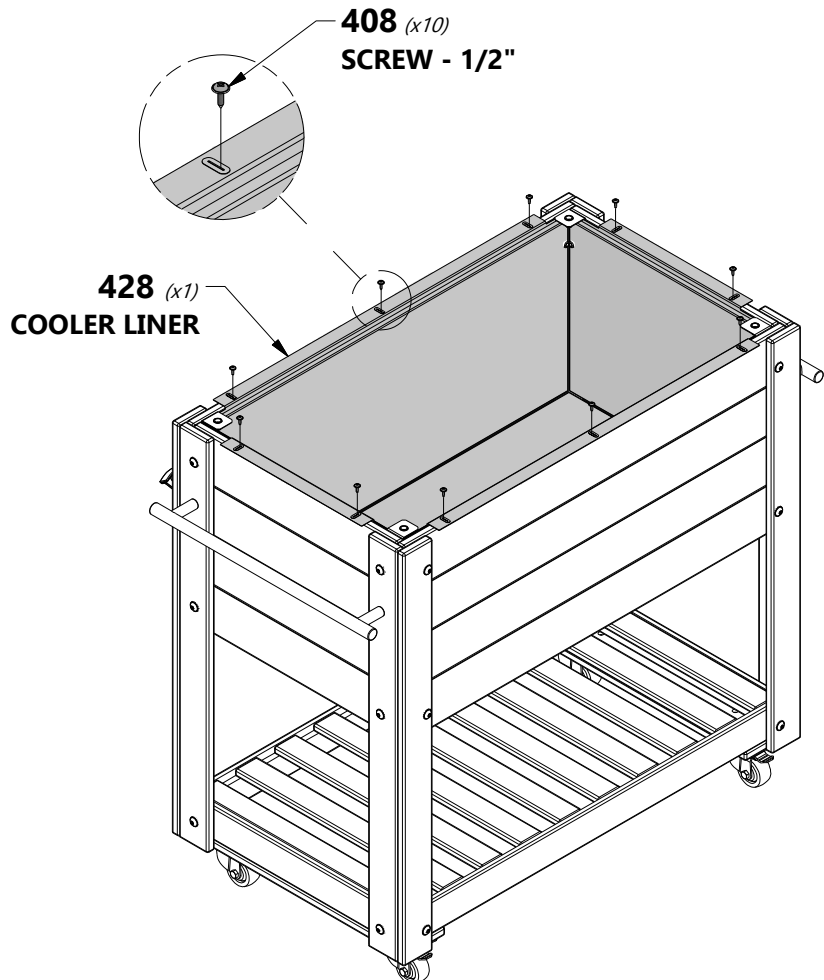
NOTE:

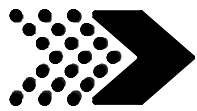
FULLY INSERT THE LINER UNTIL THE BOTTOM TOUCHES, FOLD EACH FLAP OVER THE PANEL BOARDS AND ATTACH IT WITH THE INCLUDED HARDWARE AS SHOWN.



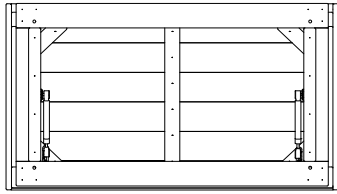
TIP:

USING A HAND DRIVER IS RECOMMENDED AS TO NOT DAMAGE THE COOLER LINER.





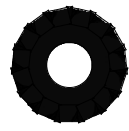
STEP 12



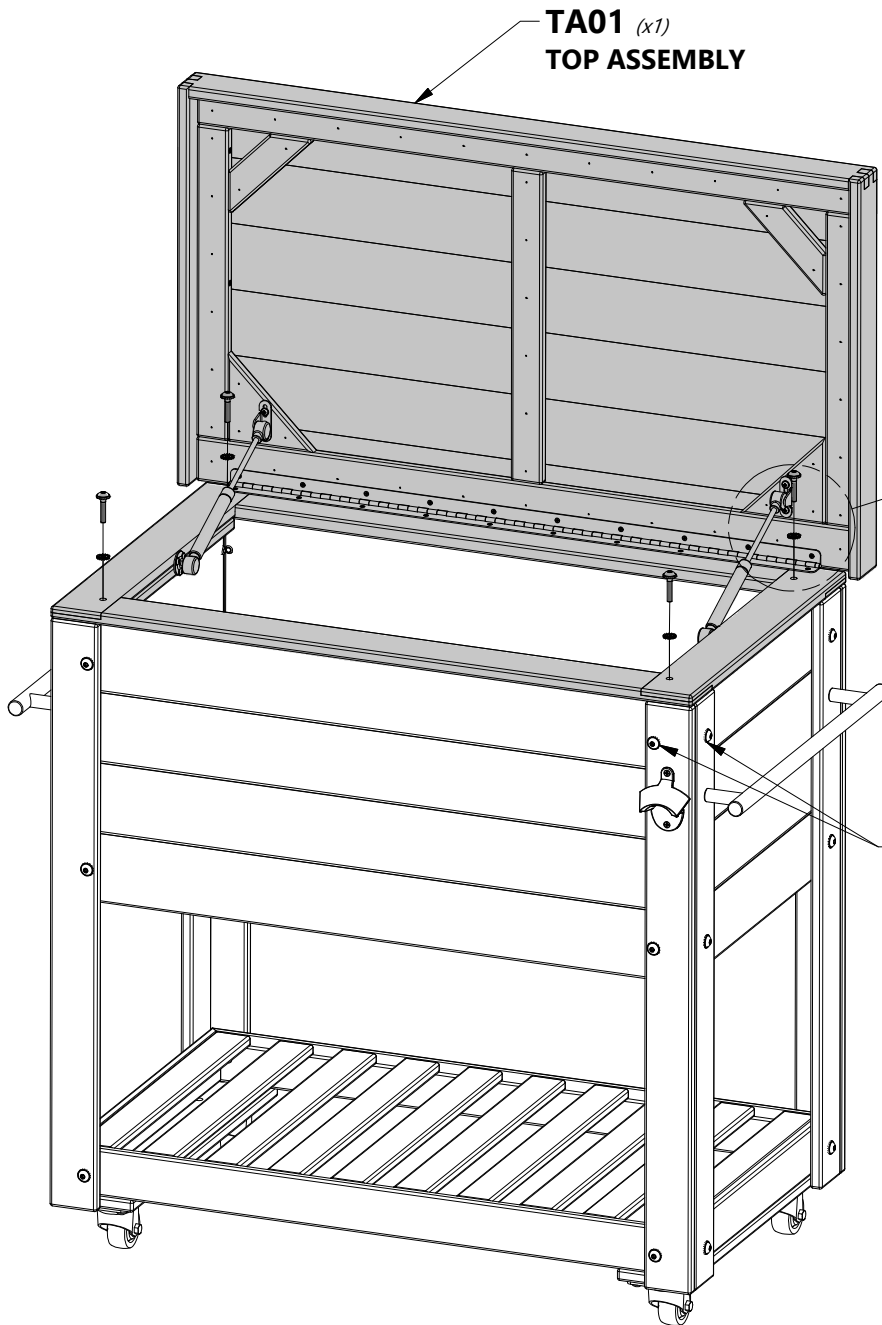
TA01 | TOP ASSEMBLY - W2A02896
(x1) | 2 5/8"x19 7/8"x34 5/8" (66x505x880)



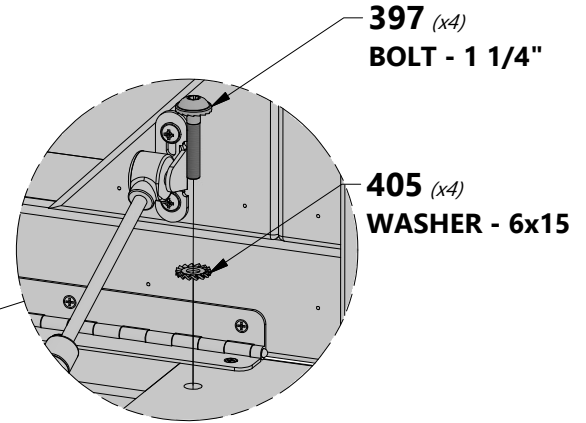
H100397 | BOLT WH BLK
(x4) | 1/4x1 1/4



H100405 | WASHER LOCK EXT BLK
(x4) | 6x15



TA01 (x1)
TOP ASSEMBLY



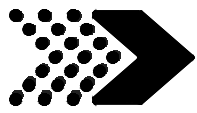
397 (x4)
BOLT - 1 1/4"

405 (x4)
WASHER - 6x15



NOTE:

WITH THE LID INSTALLED, NOW FULLY TIGHTEN BOLTS 026 - 1 3/4".



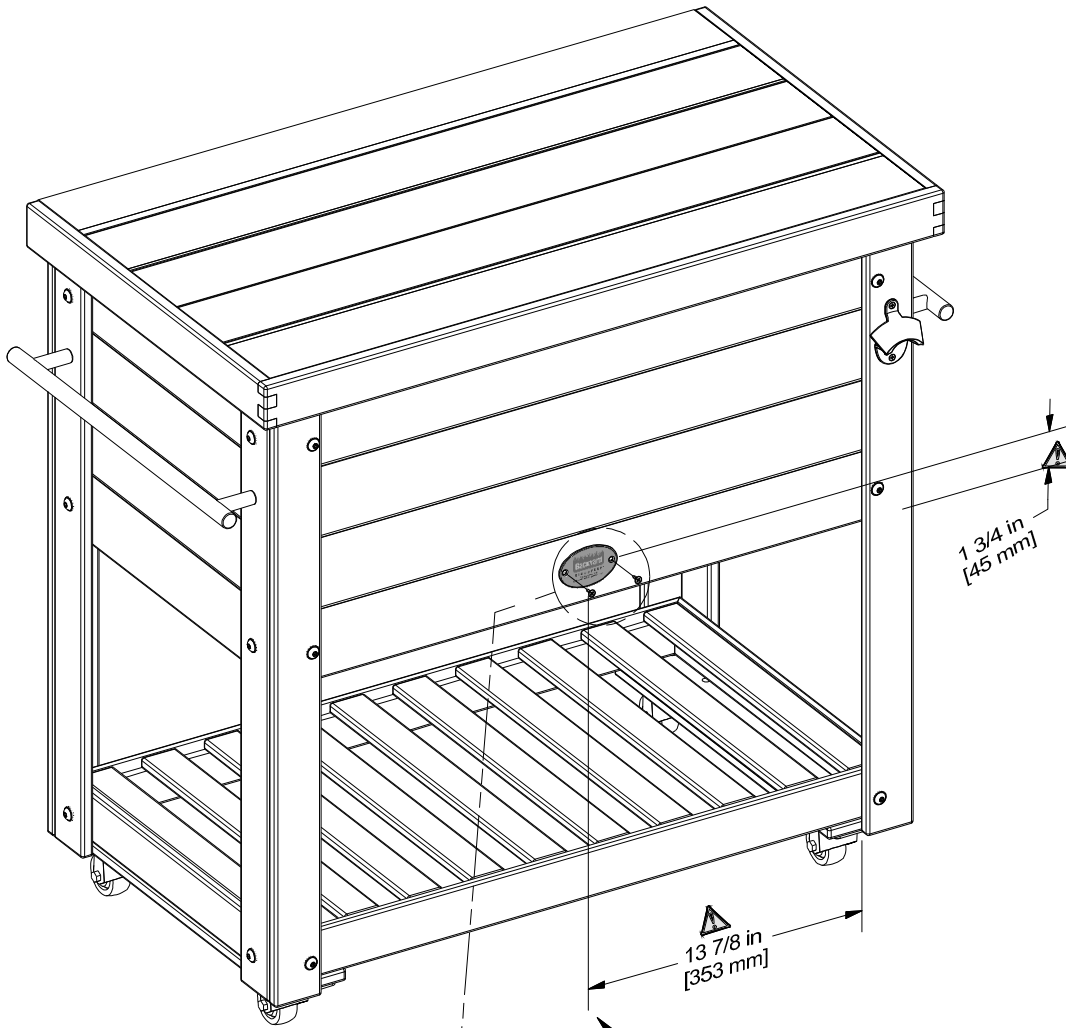
STEP 13



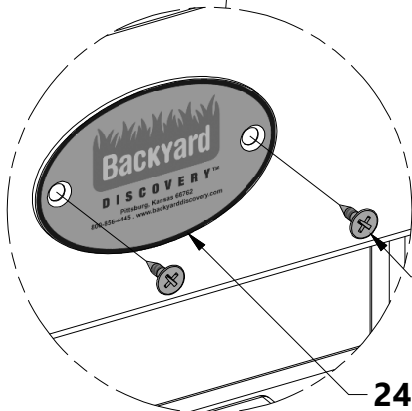
A100241 | **BYD ID TAG (SMALL) WITHOUT AGES**
(x1)



H100390 | **SCREW PFH BLK**
(x2) 8x1/2

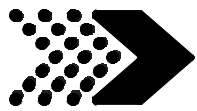


BYD ID TAG CENTERLINE



390 (x2)
SCREW - 1/2"

241 (x1)
BYD ID TAG (SMALL) WITHOUT AGES



STEP 14



A6P00445 | BYD COOLER COVER
(x1)



NOTE:
INSTALL COVER TO PROPERLY
CARE FOR YOUR COOLER WHEN
NOT IN USE.



445 (x1)
BYD COOLER COVER

